

## LED Downlight – *Hemisphere*



### Applications

- Retail/Mall
- Offices
- Hotels



Any update of data in this leaflet will not be informed.  
Please contact GE Lighting for detailed information.

GE Lighting Co.Ltd.  
7F, Building 1, No.1 Hua Tuo Rd.  
Zhang Jiang Hi-Tech Park Pudong,  
Shanghai 201203  
T: +86 21 3877 1888  
F: +86 21 3877 7437  
+86 21 3877 7459  
www.gelighting.com  
Printing Code: L-LEDI-17-EN-2014Q3



imagination at work

## Specification Features

### Excellent Lighting

- Optimized shielding angle control to reduce glare
- Color rendering index:  $\geq 80$
- Three kinds of color temperature for a variety of environment request
- No ultraviolet ray and infrared ray, Eco-friendly

### Unique Material / Structure

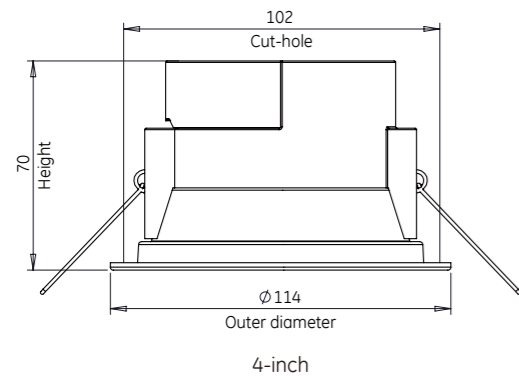
- Two different reflector material to suit different application need
- Aluminum lamp ring and fixture body to give good heat dissipation and higher reliability
- The unique structure design makes the connection more easily for 0.5-2.5mm<sup>2</sup> single strand solid wire and stranded wire
- Spring clip can be used with ceilings of different thickness and material

### Energy-saving and Long Lifetime

- The efficiency is up to 83 Lm/W. Compared to CFL fixture, energy saving is up to 50%
- The average lifetime is up to 40,000 hours (L70), greatly reduce the cost for replacement and maintenance



## Dimensions



Size	Outer diameter (mm)	Height (mm)	Cut-hole (mm)	Weight (g)
4-inch	114	70	102	135
6-inch	173	89	152	275
8-inch	224	103	203	505

## Product Specifications

Inches	Product Code	Description	Power (W)	CCT(K)	Lumens	Voltage	Power Factors (PF)	CRI	Life Time
4	89107	DM4L1SM30	7	3000	540	100-240V	0.9	$\geq 80$	40,000hrs
4	89109	DM4L1SP30	7	3000	540	100-240V	0.9	$\geq 80$	40,000hrs
4	89116	DM4L1SM40	7	4000	600	100-240V	0.9	$\geq 80$	40,000hrs
4	89118	DM4L1SP40	7	4000	600	100-240V	0.9	$\geq 80$	40,000hrs
4	89129	DM4L1SM65	7	6500	600	100-240V	0.9	$\geq 80$	40,000hrs
4	89131	DM4L1SP65	7	6500	600	100-240V	0.9	$\geq 80$	40,000hrs
6	89145	DM6L1SM30	10	3000	720	100-240V	0.9	$\geq 80$	40,000hrs
6	89148	DM6L1SP30	10	3000	720	100-240V	0.9	$\geq 80$	40,000hrs
6	89373	DM6L1SM40	10	4000	800	100-240V	0.9	$\geq 80$	40,000hrs
6	89386	DM6L1SP40	10	4000	800	100-240V	0.9	$\geq 80$	40,000hrs
6	89399	DM6L1SM65	10	6500	800	100-240V	0.9	$\geq 80$	40,000hrs
6	89405	DM6L1SP65	10	6500	800	100-240V	0.9	$\geq 80$	40,000hrs
6	89414	DM6L2SM30	12	3000	900	100-240V	0.9	$\geq 80$	40,000hrs
6	89417	DM6L2SP30	12	3000	900	100-240V	0.9	$\geq 80$	40,000hrs
6	89423	DM6L2SM40	12	4000	1000	100-240V	0.9	$\geq 80$	40,000hrs
6	89429	DM6L2SP40	12	4000	1000	100-240V	0.9	$\geq 80$	40,000hrs
6	89442	DM6L2SM65	12	6500	1000	100-240V	0.9	$\geq 80$	40,000hrs
6	89445	DM6L2SP65	12	6500	1000	100-240V	0.9	$\geq 80$	40,000hrs
8	89448	DM8L1SM30	18	3000	1350	100-240V	0.9	$\geq 80$	40,000hrs
8	89457	DM8L1SP30	18	3000	1350	100-240V	0.9	$\geq 80$	40,000hrs
8	89461	DM8L1SM40	18	4000	1500	100-240V	0.9	$\geq 80$	40,000hrs
8	89468	DM8L1SP40	18	4000	1500	100-240V	0.9	$\geq 80$	40,000hrs
8	62911	DM8L1SM65	18	6500	1500	100-240V	0.9	$\geq 80$	40,000hrs
8	62913	DM8L1SP65	18	6500	1500	100-240V	0.9	$\geq 80$	40,000hrs
8	65534	DM8L2SM30	24	3000	1800	100-240V	0.9	$\geq 80$	40,000hrs
8	66767	DM8L2SP30	24	3000	1800	100-240V	0.9	$\geq 80$	40,000hrs
8	74235	DM8L2SM40	24	4000	2000	100-240V	0.9	$\geq 80$	40,000hrs
8	74240	DM8L2SP40	24	4000	2000	100-240V	0.9	$\geq 80$	40,000hrs
8	74251	DM8L2SM65	24	6500	2000	100-240V	0.9	$\geq 80$	40,000hrs
8	74595	DM8L2SP65	24	6500	2000	100-240V	0.9	$\geq 80$	40,000hrs
8	74597	DM8L3SM30	30	3000	2250	100-240V	0.9	$\geq 80$	40,000hrs
8	74600	DM8L3SP30	30	3000	2250	100-240V	0.9	$\geq 80$	40,000hrs
8	75345	DM8L3SM40	30	4000	2500	100-240V	0.9	$\geq 80$	40,000hrs
8	75347	DM8L3SP40	30	4000	2500	100-240V	0.9	$\geq 80$	40,000hrs
8	75518	DM8L3SM65	30	6500	2500	100-240V	0.9	$\geq 80$	40,000hrs
8	75524	DM8L3SP65	30	6500	2500	100-240V	0.9	$\geq 80$	40,000hrs

## Ordering Information

### LED Downlight Hemisphere

DM	6L1	S	M	30
Product ID	Size - Wattage	Trim	Reflector Surf Treatment	CCT
D = Downlight M = Modular	4 = 4inch 4L1 = 7w  6 = 6inch 6L1 = 10w 6L2 = 12w  8 = 8inch 8L1 = 18w 8L2 = 24w 8L3 = 30w	S = Standard white painting	M = Metal Coating P = White painting	xx ( CCT )  30=3000K 40=4000K 65=6500K