

WIA-155 Optical Amplifier

FEATURES

- 19 inch/ 1 U rack mount
- Major brand of High reliability pump laser diode
- Optical output power ranges from 13 to 24dBm
- High gain and low noise figure
- Status monitoring interface compatible with Multi-protocol
- RS485 control interface

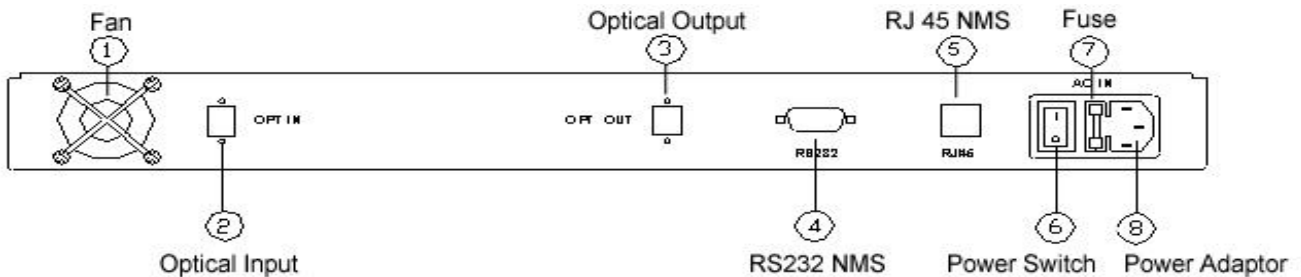
SPECIFICATION

■ Optical Parameters

Wavelength	: 1550 ± 10nm
Connector	: SC/APC, FC/APC(optional)
Output power	: 13 to 24dBm
Optical input power	: -5 to +10dBm
Noise Figure	: < 5.0 dB, @ power output < 20dBm, <5.5 dB, @ power output >= 20dBm
Polarization sensitivity	: < 0.5 dB
Output power variation	: +/- 0.5 dB

■ Other Parameters

Control interface	: RS485
Power supply	: 90-260VAC, 50/60 Hz, 15W (Max)
Operating temperature	: 0° to 50°C
Storage temperature	: - 20°C to +70°C
Relative humidity	: 85% Max
Dimensions	: 380Lx485Wx45H(mm)
Weight	: 6.0 kg



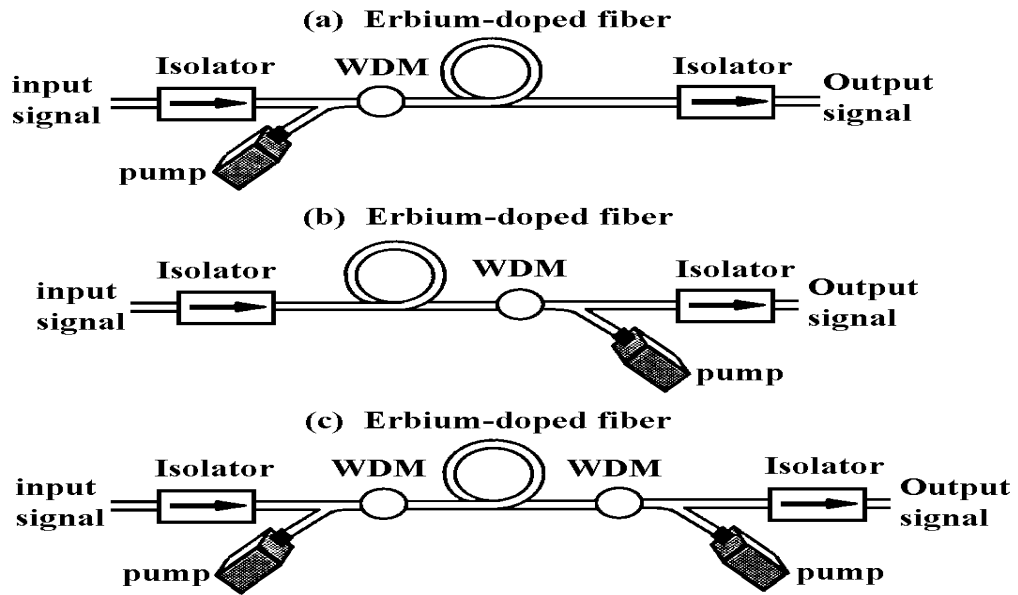
WINNERS DIGITAL CORPORATION.

3F, NO. 4, LANE 263, CHUNG YANG RD., TAIPEI 115, TAIWAN

TEL : 886-2-2782-0711 (REP) FAX : 886-2-27828490

E-mail : service@winersat.com.tw / WEBSITE : www.winersat.com.tw

Block DIAGRAM



WINNERS DIGITAL CORPORATION.

3F, NO. 4, LANE 263, CHUNG YANG RD., TAIPEI 115, TAIWAN

TEL : 886-2-2782-0711 (REP) FAX : 886-2-27828490

E-mail : service@winersat.com.tw / WEBSITE : www.winersat.com.tw